

REGAL

RETAIL PRICING

- FEBRUARY 2025 -



"it's not like clean windows - it's like wide open windows"

Customer comment



REGAL

Zero technology

WARRANTY

Regal offers a Limited Lifetime Warranty on cables and a 3-Year Limited Warranty on all electronics purchased directly from us or authorized dealers, covering defects in materials and workmanship under normal use. This warranty applies only to the original purchaser with proof of purchase and excludes damage from misuse, unauthorized modifications, improper installation, wear and tear, or environmental conditions outside normal use.

To file a claim, contact us at [info@regalaudio.se] with proof of purchase, a description of the issue, and any supporting photos. If approved, we will repair or replace the product; shipping costs may apply. Regal's liability is limited to repair or replacement of delivered Regal products.

ORDERING AND CONTACT

Email: sales@regalaudio.se

Phone: +46722038340

Web: www.regalaudio.se

Instagram: www.instagram.com/regal_audio_designs/

Address: R. Audio Designs AB
Heidenstams gata 13
58437 Linköping
Sweden

DELIVERY TIME

Cables: Normally 2-4 weeks

Electronics: Contact Regal for current stock and delivery time.

DISCLAIMER

Regal strives for accuracy in all published materials, including price lists. However, we reserve the right to correct any typographical errors or inaccuracies. Prices are subject to change without notice. Prices listed here do not apply to **Norway** and **Sweden**, where sales are handled by authorized distributors. Prices are in EURO including VAT.

Momentum Analog Interconnect



Momentum v2 RCA Series

Zero loss cables with OCC copper. Gold over silver plated copper connectors with high purity teflon insulation. Upgradable to Reference. Copper alternative to Reference.

Zero RCA Momentum v2	0,75 m	950 /pair	Active ▾
Zero RCA Momentum v2	1,0 m	990 /pair	Active ▾
Zero RCA Momentum v2	1,5 m	1035 /pair	Active ▾
Zero RCA Momentum v2	2,0 m	1095 /pair	Active ▾
Zero RCA Momentum v2 Custom Specify length	Custom	Custom	Contact REGAL ▾

Momentum v2 XLR Series

Balanced Zero loss cables with OCC copper. Gold over silver plated copper connectors with high purity teflon insulation. Upgradable to Reference. Copper alternative to Reference.

Zero XLR Momentum v2	0,75 m	1085 /pair	Active ▾
Zero XLR Momentum v2	1,0 m	1120 /pair	Active ▾
Zero XLR Momentum v2	1,5 m	1175 /pair	Active ▾
Zero XLR Momentum v2	2,0 m	1215 /pair	Active ▾
Zero XLR Momentum v2 Custom Specify length	Custom	Custom	Contact REGAL ▾

Momentum Power Cord



Power Cord Momentum Series

Schuko Type E/F and IEC C15 Gold over silver plated connectors. Low inductance cable with 0.2 uH/m and 3.0 mm² OFC multifilament conductors. Upgradable to Reference.

Power Cord Momentum	1,8 m	498 /each	Active ▾
Power Cord Momentum	3,0 m	565 /each	Active ▾
Power Cord Momentum Custom Specify length	Custom	Custom	Contact REGAL ▾

Momentum Speaker Cable



Speaker Cables Momentum Series

Zero loss speaker cable with spades or bananas. 5.0mm² OFC multifilament conductors with ultra low inductance of typical 0.05uH/m.

Zero ² Speaker Momentum Gold Specify Spades or Bananas	2,0 m	1915 /pair	Active ▾
Zero ² Speaker Momentum Gold Specify Spades or Bananas	2,5 m	2140 /pair	Active ▾
Zero ² Speaker Momentum Gold Specify Spades or Bananas	3,0 m	2315 /pair	Active ▾
Zero ² Speaker Momentum Gold Specify Spades or Bananas	4,0 m	2610 /pair	Active ▾
Zero ² Speaker Momentum Gold Specify connectors and length	Custom	Custom	Contact REGAL ▾

Reference Analog Interconnect



Zero Phono Reference Series

Zero loss pure silver interconnect cables for analog audio with ultra low capacitance 24 pF/m 24 pF/m. Rhodium over silver plated copper connectors with high purity teflon insulation.

Zero Phono Reference 1,25 m Straight/Angled DIN - 2xRCA	Specify DIN	1365 /each	Active ▾
Zero Phono Reference 1,25 m RCA	2xRCA - 2xRCA	1330 /each	Active ▾
Zero Phono Reference Custom Specify length	Custom	Custom	Contact REGAL ▾

Zero RCA Reference Series

Zero loss pure silver interconnect cables for analog audio. Gold over silver plated copper connectors with high purity teflon insulation.

Zero RCA Reference	0,75 m	1260 /pair	Active ▾
Zero RCA Reference	1,0 m	1340 /pair	Active ▾
Zero RCA Reference	1,5 m	1435 /pair	Active ▾
Zero RCA Reference	2,0 m	1510 /pair	Active ▾
Zero RCA Reference Custom Specify length	Custom	Custom	Contact REGAL ▾

Zero XLR Reference Series

Balanced zero loss pure silver interconnect cables for analog audio. Gold over silver plated copper connectors with high purity teflon insulation.

Zero XLR Reference	0,75 m	1470 /pair	Active ▾
Zero XLR Reference	1,0 m	1540 /pair	Active ▾
Zero XLR Reference	1,5 m	1620 /pair	Active ▾
Zero XLR Reference	2,0 m	1700 /pair	Active ▾
Zero XLR Reference Custom Specify length	Custom	Custom	Contact REGAL ▾

Reference Digital Interconnect



Reference Digital cables for 75 ohm interfaces

Very low capacitance (60 pF/m). Dual layer shield. Rhodium over silver plated BNC-connectors. Precision matched characteristic Impedance.

Digital 75 Reference BNC	1,0 m	550 / each	Active ▾
Digital 75 Reference BNC	1,5 m	565 / each	Active ▾
Digital 75 Reference BNC	2,0 m	595 / each	Active ▾
Digital 75 Reference Custom Specify length	Custom	Custom	Contact REGAL ▾

Reference Digital cables for 110 ohm Interfaces

Ultra low capacitance 35 pF/m. Dual layer shield. Gold over silver plated copper connectors with high purity teflon insulation. Precision matched characteristic Impedance to 2% tolerance.

Digital 110 Reference XLR	1,0 m	610 /each	Active ▾
Digital 110 Reference XLR	1,5 m	650 /each	Active ▾
Digital 110 Reference XLR	2,0 m	680 /each	Active ▾
Digital 110 Reference XLR Custom Specify length	Custom	Custom	Contact REGAL ▾

Reference USB Interconnect



Reference USB cable

Separate shielded low impedance USB power. Low impedance grounding. Gold over silver plated copper connectors. Precision matched and separate shielded data lines with 90 ohm characteristic Impedance.

USB A-B Reference	1,0m	725 / each	Active ▾
USB A-B Reference	2,0m	750 / each	Active ▾
USB A-B Reference Custom Specify length	Custom	Custom	Contact REGAL ▾

Reference Power Cord

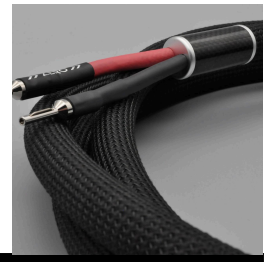


Power Cord Reference Series

Schuko Type E/F and IEC C15 Gold over silver plated copper connectors. Very low inductance cable with 0.12 uH/m and 5.0 mm² OFC multifilament conductors.

Power Cord Reference	1,8 m	860 /each	Active ▾
Power Cord Reference	3,0 m	1010 /each	Active ▾
Power Cord Reference Custom Specify length	Custom	Custom	Contact REGAL ▾

Reference Speaker Cable



Speaker Cables Reference Series

Advanced zero loss speaker cable with spades or bananas. 4.5mm² OFC multifilament conductors with ultra low inductance of typical **0.045uH/m**.

Zero ² Speaker Reference Rhodium Specify Spades or Bananas	2,0 m	2990 /pair	Active ▾
Zero ² Speaker Reference Rhodium Specify Spades or Bananas	2,5 m	3300 /pair	Active ▾
Zero ² Speaker Reference Rhodium Specify Spades or Bananas	3,0 m	3600 /pair	Active ▾
Zero ² Speaker Reference Rhodium Specify Spades or Bananas	4,0 m	4200 /pair	Active ▾
Zero ² Speaker Reference Custom Specify connectors and length	Custom	Custom	Contact REGAL ▾

Signature

Analog Interconnect

Signature interconnects are highly flexible state-of-the-art cables, enabling an unparalleled transparency into the depth of recordings. Delivering a natural timbre and zero loss signal, all encased in our classic signature cotton loom for a soft feel and timeless look.



Signature RCA Series

Zero loss cables that combine the best tonal characteristics of copper, gold and silver into a solid core conductor alloy. Solid silver connectors with high purity teflon insulation.

Zero RCA Signature	1,0 m	2500 /pair	Active ▾
Zero RCA Signature	1,5 m	2700 /pair	Active ▾
Zero RCA Signature	2,0 m	2850 /pair	Active ▾
Zero RCA Signature Custom Specify length	Custom	Custom	Contact REGAL ▾

Signature XLR Series

Balanced zero loss cables that combine the best tonal characteristics of copper, gold and silver into a solid core conductor alloy. Solid silver connectors with high purity teflon insulation.

Zero XLR Signature	1,0 m	2600 /pair	Active ▾
Zero XLR Signature	1,5 m	2900 /pair	Active ▾
Zero XLR Signature	2,0 m	3100 /pair	Active ▾
Zero XLR Signature Custom Specify length	Custom	Custom	Contact REGAL ▾

Signature Power Cord



(New 2025-01)

Power Cord Signature Series

Custom made rhodium over silver plated copper carbon fiber Schuko Type E/F and IEC C15 connectors. Cable engineered for high EMI immunity and minimal electromagnetic emissions using our low inductance field cancellation geometry with 0.10uH/m. Features 6.0 mm² FEP insulated multifilament conductors and a 4.0 mm² PTFE insulated multifilament safety ground conductor.

Highly flexible cable, enabling instant power delivery with minimal losses and low noise. All encased in our classic signature cotton loom for a soft feel and timeless look.

Power Cord Signature	1,8 m	1900 /each	Active ▾
Power Cord Signature	3,0 m	2200 /each	Active ▾
Power Cord Signature Custom Specify length	Custom	Custom	Contact REGAL ▾

Signature Speaker Cable



(New 2025-02)

Speaker Cables Signature Series

Signature speaker cables are highly flexible state-of-the-art cables, enabling an unparalleled transparency into the depth of recordings. Delivering a natural timbre and zero loss signal, all encased in our classic signature cotton loom for a soft feel and timeless look.

Solid silver connectors terminate a low inductance twisted pair core made of solid 9999 purity silver wires. Encapsulated by our own proprietary Litz geometry made of >2300 ultra fine copper filaments. All integrated into our patented Zero technology for lowest possible signal losses. In total 5.5mm² cross section area and an inductance of typical **0.04uH/m** for the most precise control of speaker drivers.

Zero ² Speaker Signature Specify Spades or Bananas	2,0 m	5650 /pair	Active ▾
Zero ² Speaker Signature Specify Spades or Bananas	2,5 m	6250/pair	Active ▾
Zero ² Speaker Signature Specify Spades or Bananas	3,0 m	6750 /pair	Active ▾
Zero ² Speaker Signature Specify Spades or Bananas	3,5 m	7250 / pair	Active ▾
Zero ² Speaker Signature Specify Spades or Bananas	4,0 m	7800 /pair	Active ▾
Zero ² Speaker Signature Specify connectors and length	Custom	Custom	Contact REGAL ▾

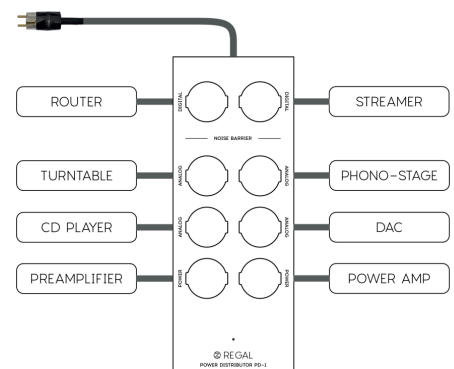
Power Distribution



Power Distribution

Next level Power Distribution. Zero inductance input filter. Dual zones with separate star grounds. Noise barrier between analog and digital zones. High grade gold over silver plated copper connectors for inlet and outlets. Six analog and two digital outlets. High thickness copper PCB. Phase - Neutral polarity LED indicator.

- IEC C13, 230 VAC / 50-60 Hz
- Dual Domain Star Ground
- Line-Neutral Indicator
- Zero Inductance Input Filter
- Analog-Digital Noise Barrier
- High Copper Thickness PCB
- Gold over Silver plated Copper connectors



Power Distribution PD-1	-	2000 /each	Active ▾
Power Distribution PD-1-G + Earth connector for use with ground control systems like CAD	-	2050 /each	Active ▾
Power Distribution PD-1-DCB + Ultra Low Impedance DC-Blocker	-	TBD	Planned ▾

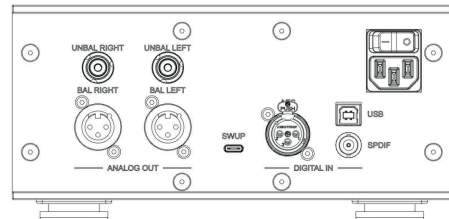
Digital to Analog Conversion



Digital to Analog Converter

DAC101 Features R2R non-oversampling technology renowned for its musical qualities, thanks to its simplicity without digital filters or feedback loops. To address sensitivity to clock jitter, advanced reclocking techniques are employed. Supercap power supply and **patented Zero** technology embedded in the circuit board contribute to authentic timbre and a very transparent sound reproduction. A perfect match with our Reference and Signature interconnect cables.

Conversion: PCM audio, up to 24 bits / 192 kHz
Noise floor: 130 dB
THD: 0.003 % @ 2 kHz, -6 dBFS
Frequency response: 0-50 kHz +0/1 dB
Jitter: <1ps



HiFi & Musik Review 2024

"A sense of being directly connected to the music."

"The more you listen, the more fascinated you become by all the spatial information the converter manages to carve out."

"The feeling of fresh, unadulterated, and organically flowing sound is Regal's true strength, quickly captivating you with the music."

Stereo+ Review 2024

"Regal DAC101 is not about more details and greater precision, but about a better and deeper listening experience."

"With the DAC101, we're talking about a natural and friendly presence, where the sound is presented in a way that clearly delights the ear. Despite its high-tech inner workings, it delivers an experience that feels simple, effortless, and more natural than comparable digital converters."

"The DAC is exceptionally transparent, quiet, and remarkably open. It plays with a relaxed yet focused three-dimensionality that gives instruments ample space and precise placement within the soundstage."

DAC101 Silver Power Cord Momentum 1,5 m	-	5300 / each	Active ▾
DAC101 Black Power Cord Momentum 1,5 m	-	5500 / each	Active ▾