

# REGAL

## Power Distribution PD-1 USERS MANUAL



Thank you for choosing the REGAL power distribution PD-1. Congratulations on your decision to enhance the audio quality of your system. To ensure you make the most of your purchase, we kindly request that you carefully review this manual. The guidelines provided will assist you in determining the ideal wiring configuration for your unique setup. By following these instructions, you'll experience the utmost sonic performance.

## DESIGN PHILOSOPHY

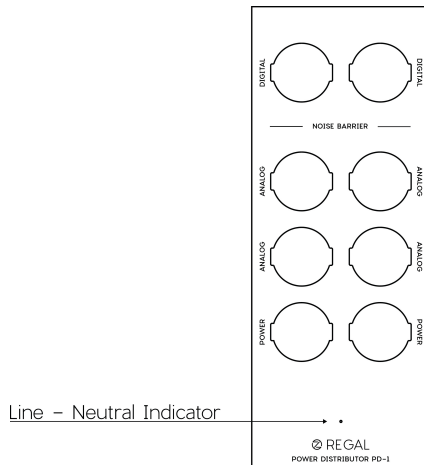
REGAL Power distribution is specifically engineered to optimize the sonic performance of high-quality audio or video systems. Various technologies are employed to achieve this goal. A line-neutral indicator displays correct wiring and ground to the power distributor, corresponding to the Line neutral markings on each power outlet. The conventional star-ground concept is taken a step further to ensure no ground noise currents in the digital domain will affect analog audio components.

A non-inductive input filter effectively reduces high-frequency noise without impeding current transients, providing amplifiers with optimal conditions to handle the dynamics of music. A dedicated filter serves as a noise barrier between the analog domain and the comparatively noisier digital domain. The high-current printed circuit board, featuring double-thickness copper, ensures low impedances.

The power distributor ground system is designed to minimize ground loop noise between components. To minimize noise from the digital domain we recommend to utilize a galvanically isolated electrical or optical interface when transferring digital audio from a streamer to the DAC.

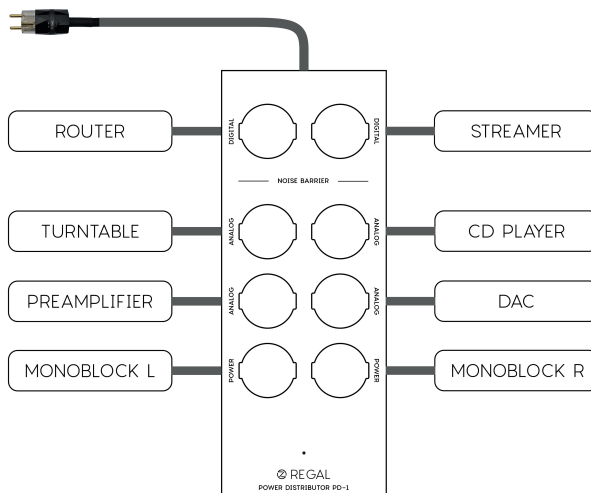
# INSTALLATION

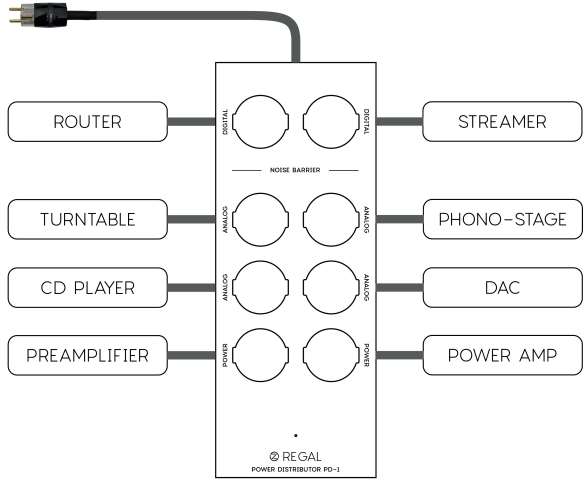
REGAL Power distribution units are equipped with the capability to detect correct Line - Neutral wiring. This feature necessitates a proper connection of the safety ground. The green LED will illuminate when the Ground, Line, and Neutral are correctly connected. If the LED does not light up, rotate the Schuko connector at the power source 180 degrees.



# CONNECTION DIAGRAMS

While all analog outlets are high power outlets, it is recommended to follow the principles of the following connection guides for optimal sonic and noise performance.





# SAFETY

To ensure your safety, please carefully review and follow the provided safety instructions. Pay close attention to any warning notices on the components and within the manual.

## PROPER USE

This device is intended for use with audio equipment in private indoor environments only. Follow the installations instructions provided to correctly connect the device. Additionally, please adhere to the operating instructions of any connected devices. Use only accessories recommended by the manufacturer, and ensure that the device is operated within the specified voltage and power range.

## INSTRUCTIONS

- Please ensure that the device is not exposed to high levels of humidity under any circumstances.
- Avoid placing the equipment near heat sources such as heaters, ovens, or other heat-producing devices.
- Keep the device free from foreign objects and liquids.
- Ensure the plugs or connectors are accurately and securely fitted without excessive force.
- Devices connected to the mains always consume electricity and carry a potential fire hazard. Therefore, it is recommended to completely disconnect the power distributor from the mains during periods of absence.

## FUSE

A fuse of 16A as part of the electrical installation of the building is assumed.

## LOOKING AFTER THE PRODUCT

Disconnect all cables from the power distributor before cleaning. Always clean the components with a soft and dry cloth or with a brush. Do not under any circumstances use scouring powder, alcohol, benzene or similar substances.

# PRODUCT SPECIFICATIONS

## INPUT CONNECTOR

- IEC C13
- 230 VAC / 50-60 Hz
- Maximum Power: 3680 VA
- Gold over Silver plated Copper

## OUTLETS

- EU Schuko
- 6 x Power & Analog
- 2 x Digital Behind Filter
- Gold over Silver plated Copper

## CONSTRUCTION

- Dual Domain Star Ground
- Line-Neutral Indicator
- Zero Inductance Input Filter
- Analog-Digital Noise Barrier
- High Copper Thickness PCB
- Isolation Footers

## PHYSICAL

Size: 360 x 160 x 70 mm

Weight: 3.5 kg

# REGAL

REGAL technology  
Heidenstams gata 13  
58437 Linköping SE

Phone: 46722038340  
Email: [info@regalaudio.se](mailto:info@regalaudio.se)  
Web: [regalaudio.se](http://regalaudio.se)